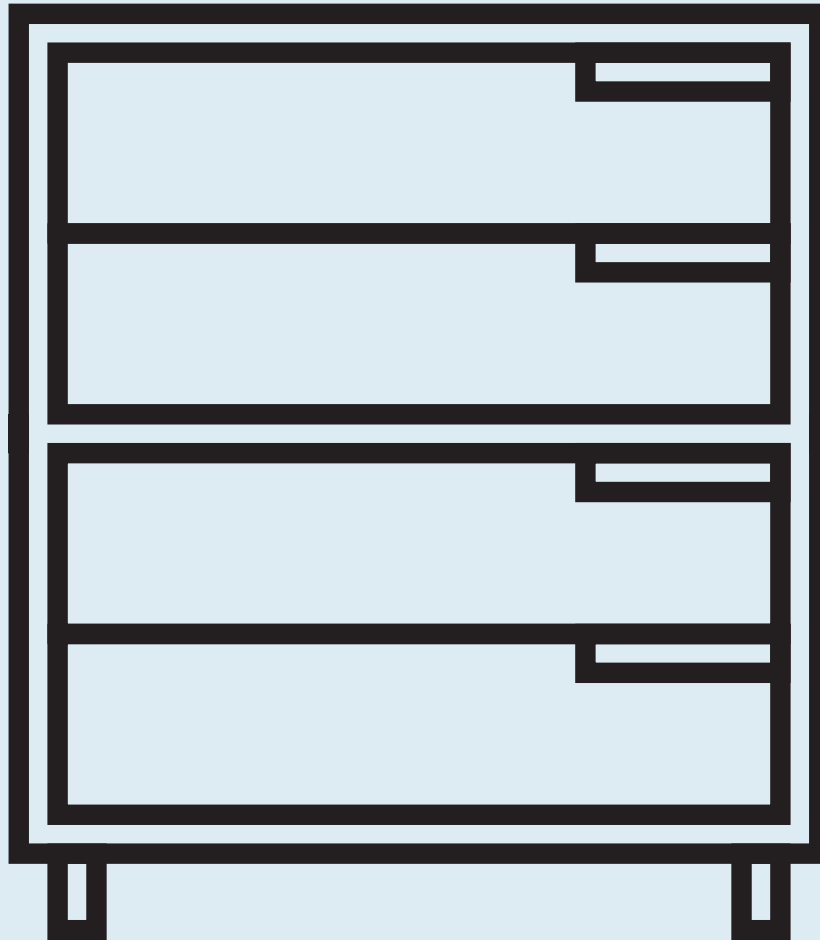


Modu-licious #4



DESIGNED IN 1999

ASSEMBLY NOTES | REV 01



YOU WANT CHOICES, WE GOT CHOICES.

Drawers and doors are your canvas with the award-winning Modu-licious series.

NEED A HAND?

Contact us at service@bludot.com or **844.425.8368** for assistance.

Parts & Hardware



QTY 24

Pt. 5001



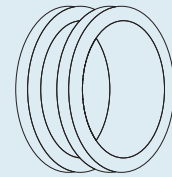
QTY 16

Pt. 1023



QTY 4

Pt. 4005



QTY 4

Pt. 8018



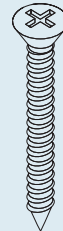
QTY 24

Pt. 5005



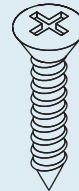
QTY 24

Pt. 5002



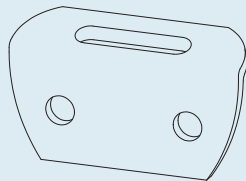
QTY 2

Pt. 1218



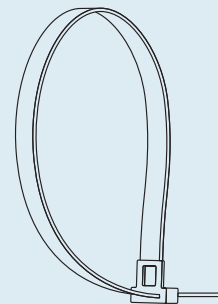
QTY 2

Pt. 1217



QTY 2

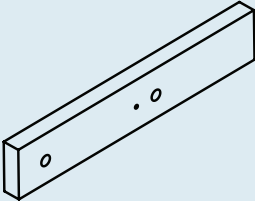
Pt. 8046



QTY 1

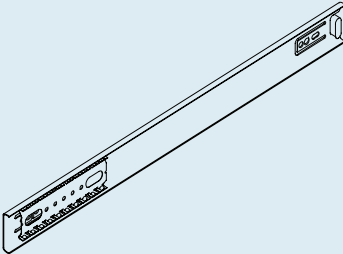
Pt. 8042

Parts & Hardware



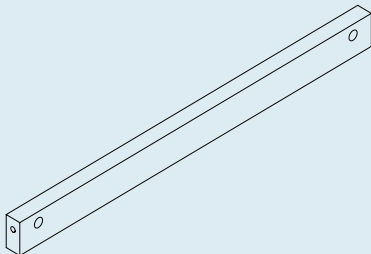
QTY 2

Foot



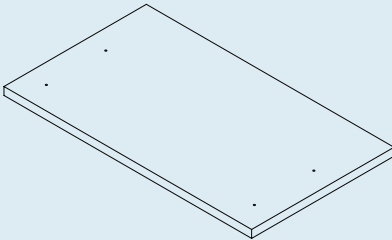
QTY 8

Drawer Slide



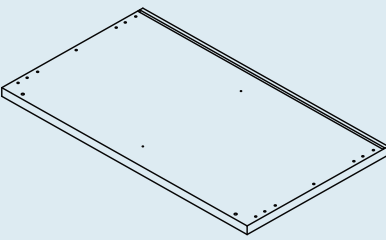
QTY 1

Stretchers



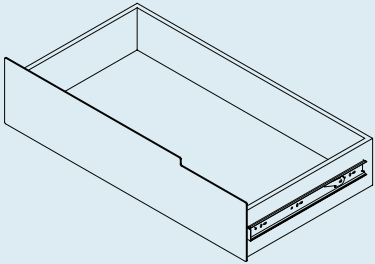
QTY 1

Bottom Panel



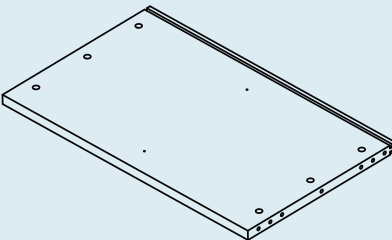
QTY 1

Top Panel



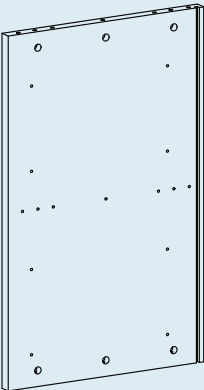
QTY 4

Drawer



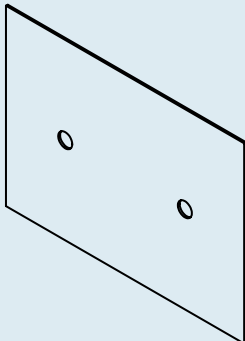
QTY 1

Center Panel



QTY 2

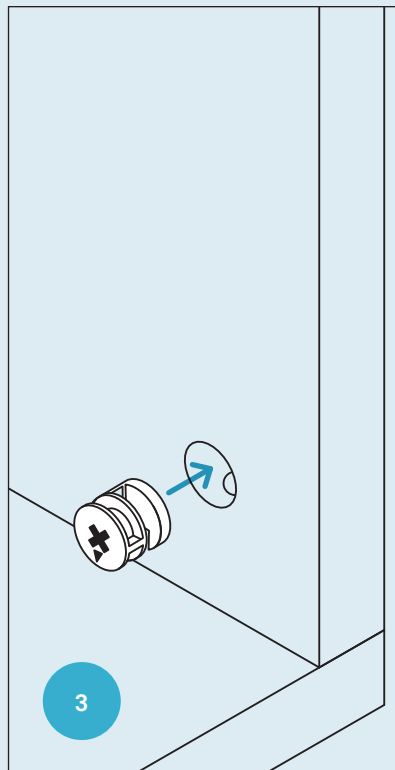
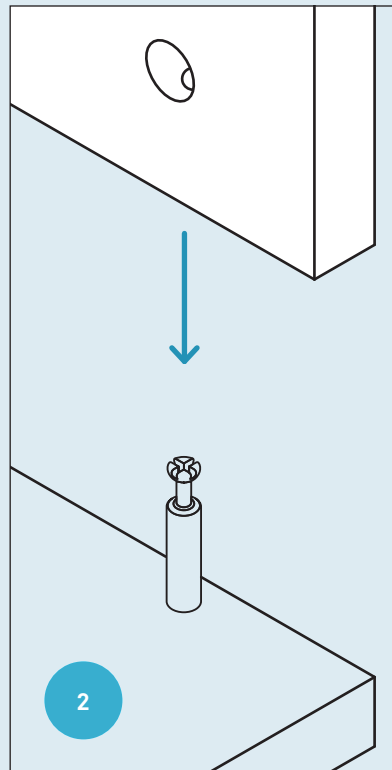
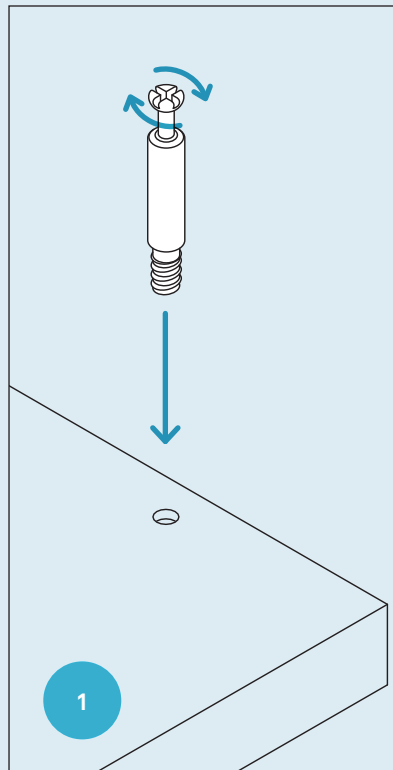
Side Panel



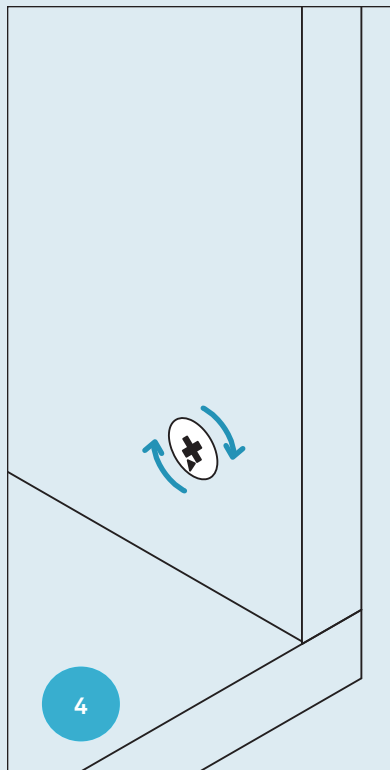
QTY 2

Back Panel

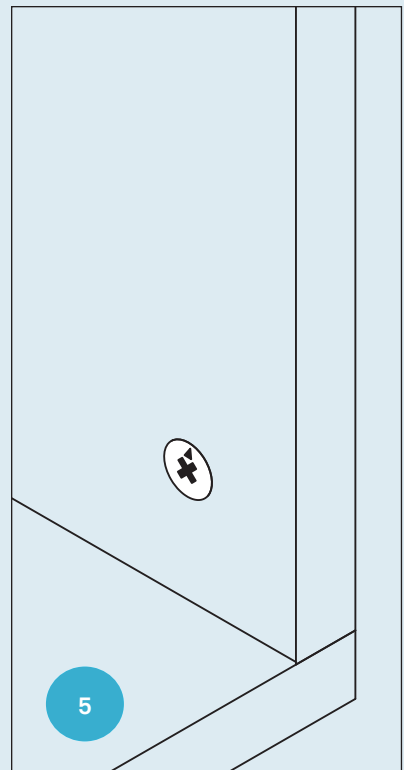
How to use the cam lock system



Note direction of cam arrow.



Turn cam clockwise 1/2 turn or until tight.

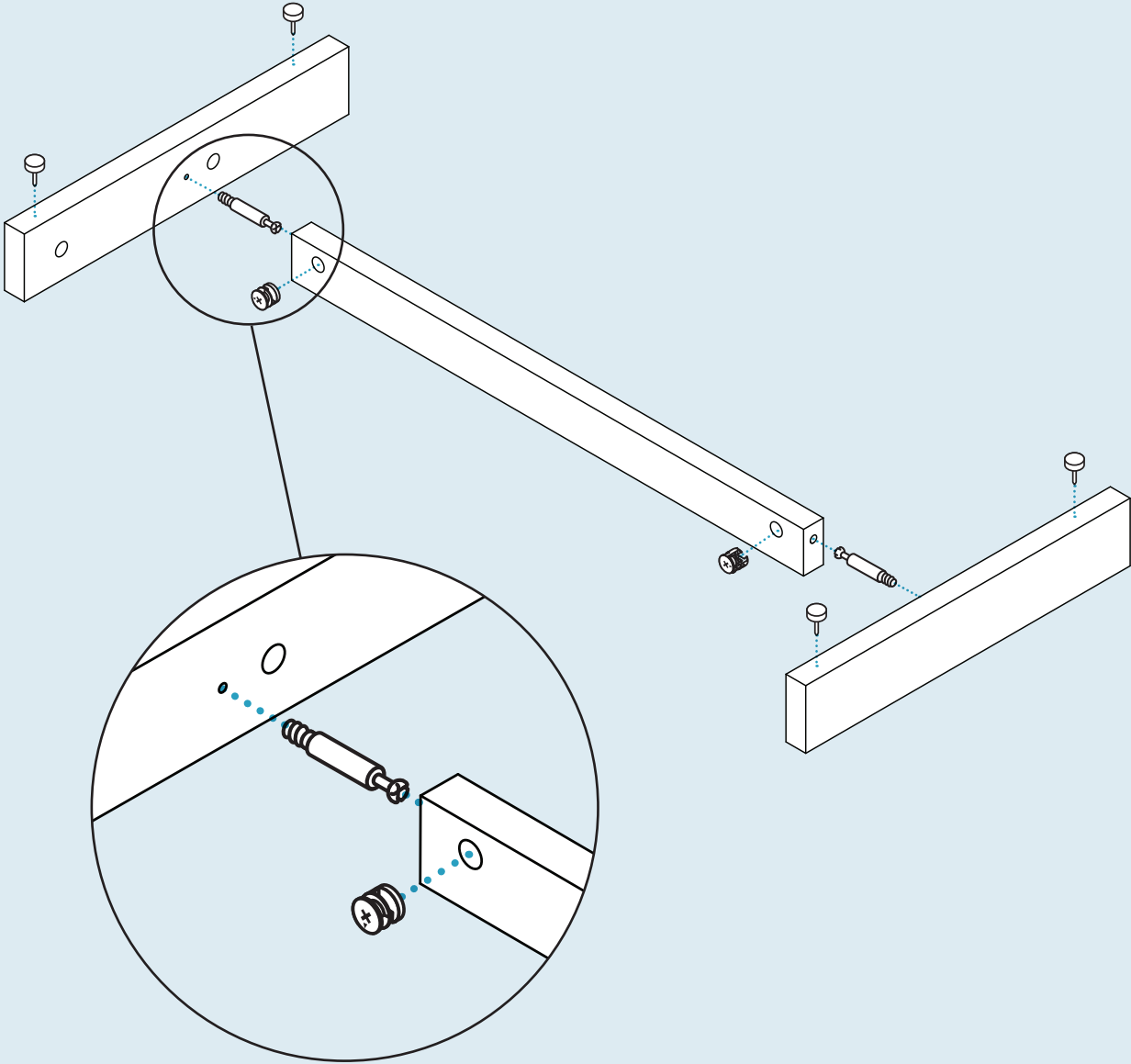


Note direction of cam arrow.

Step 01

ASSEMBLE BASE.

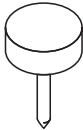
Using the stretcher and feet assemble the base as shown. Refer to page 3 on how to use the cam lock system.



PT. 5001 X 2



PT. 5002 X 2

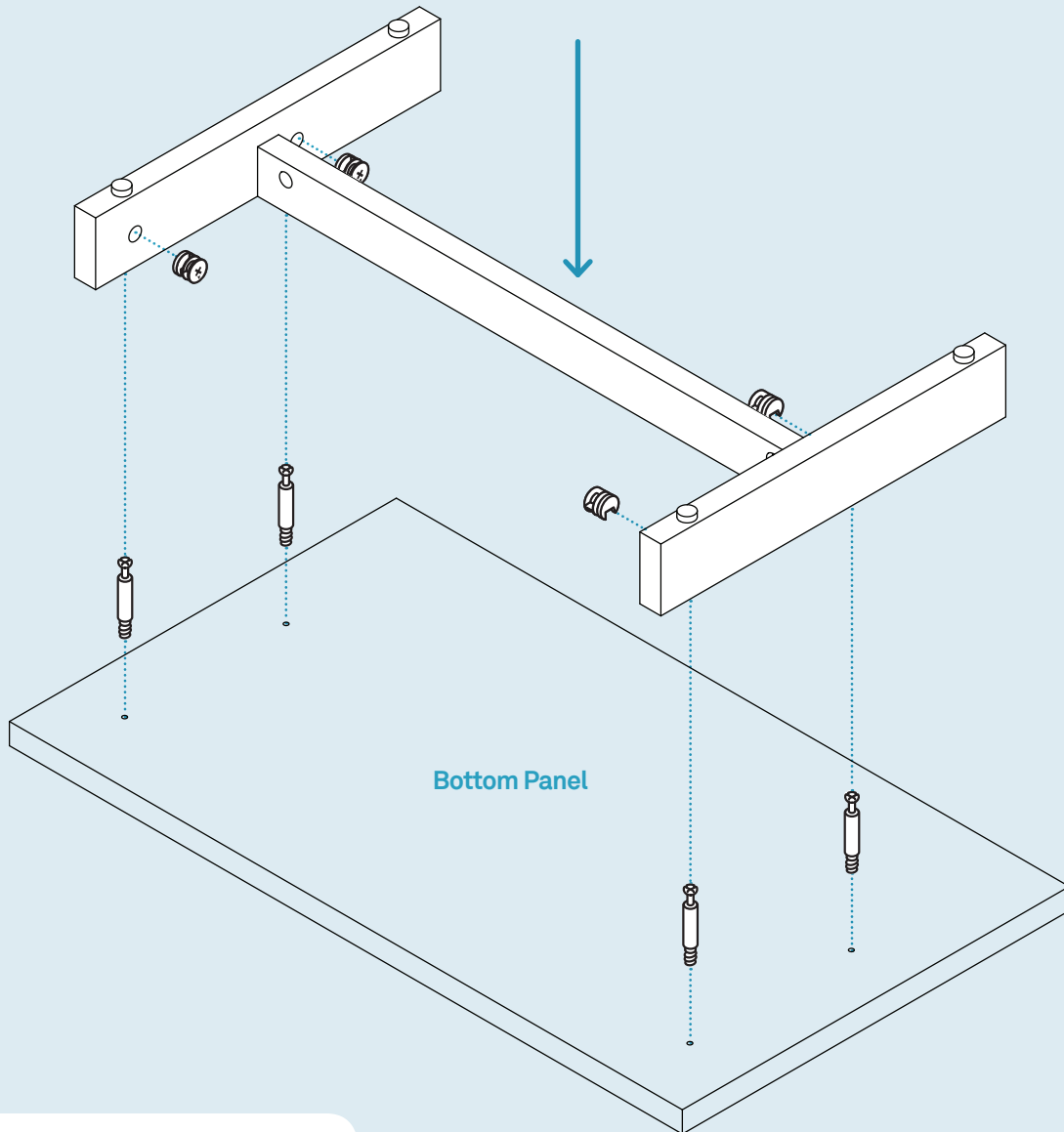


PT. 4005 X 4

Step 02

ATTACH BOTTOM PANEL.

Attach the bottom panel to the base using the provided hardware as shown. Refer to page 3 on how to use the cam lock system.



PT. 5001 X 4



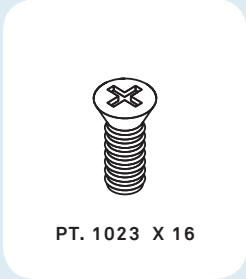
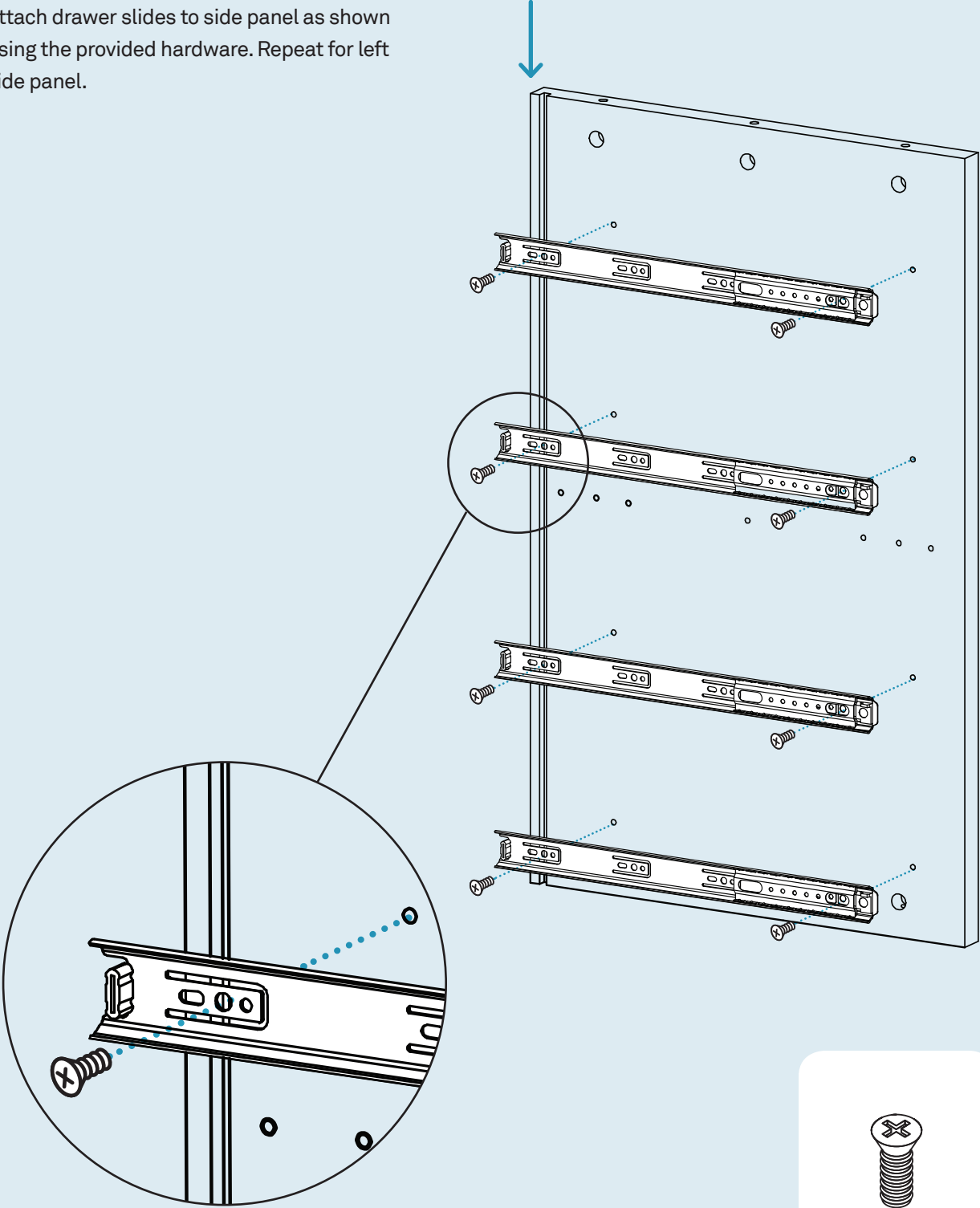
PT. 5002 X 4

Step 03

ATTACH DRAWER SLIDES.

Attach drawer slides to side panel as shown using the provided hardware. Repeat for left side panel.

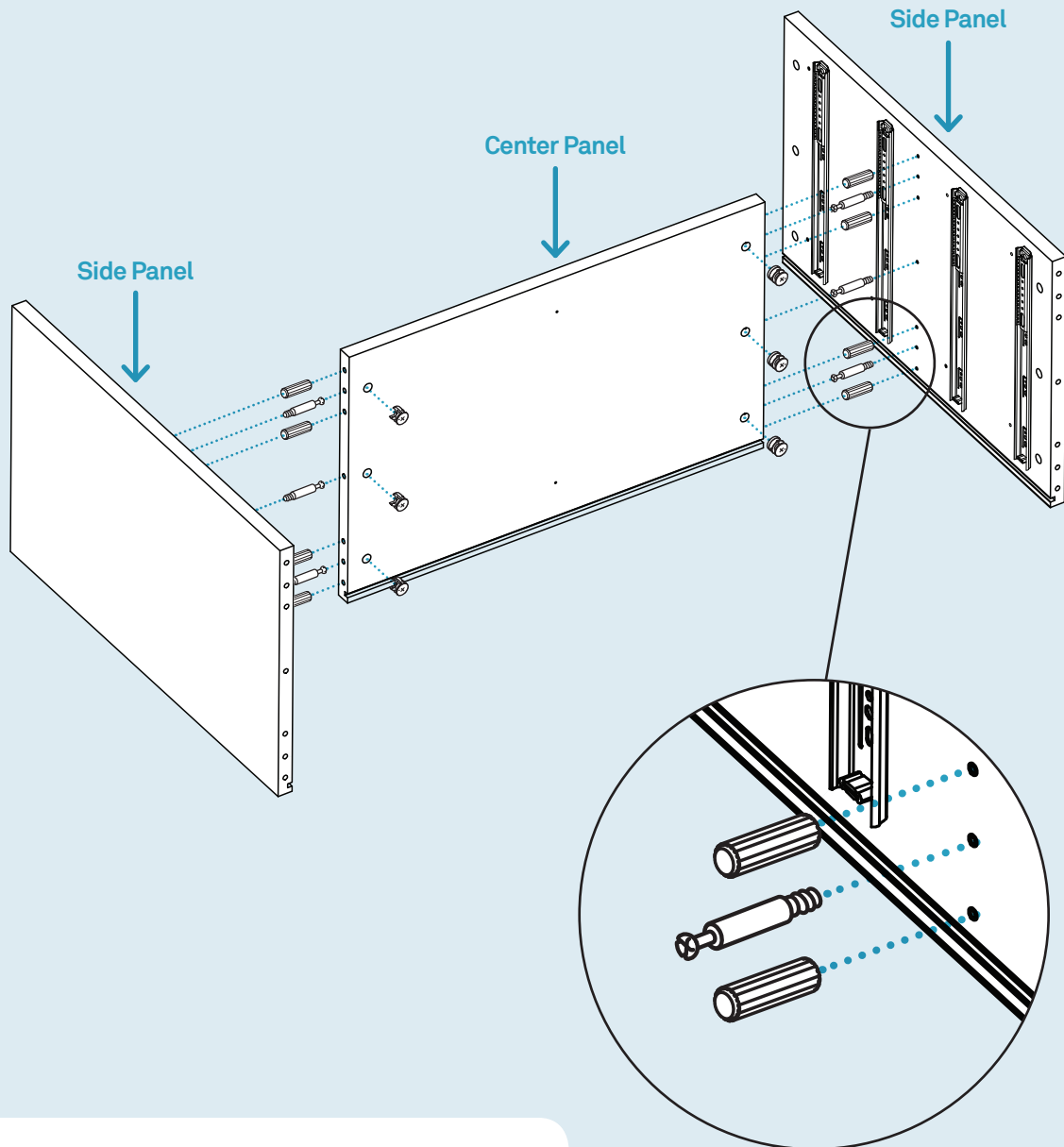
Right Side Panel



Step 04

BEGIN ASSEMBLING CASE.

Attach side panels to center panel as shown using the provided hardware. Refer to page 3 on how to use the cam lock system.



PT. 5001 X 6



PT. 5002 X 6

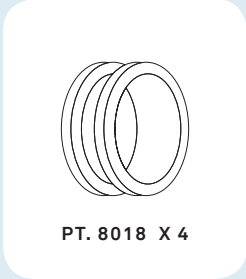
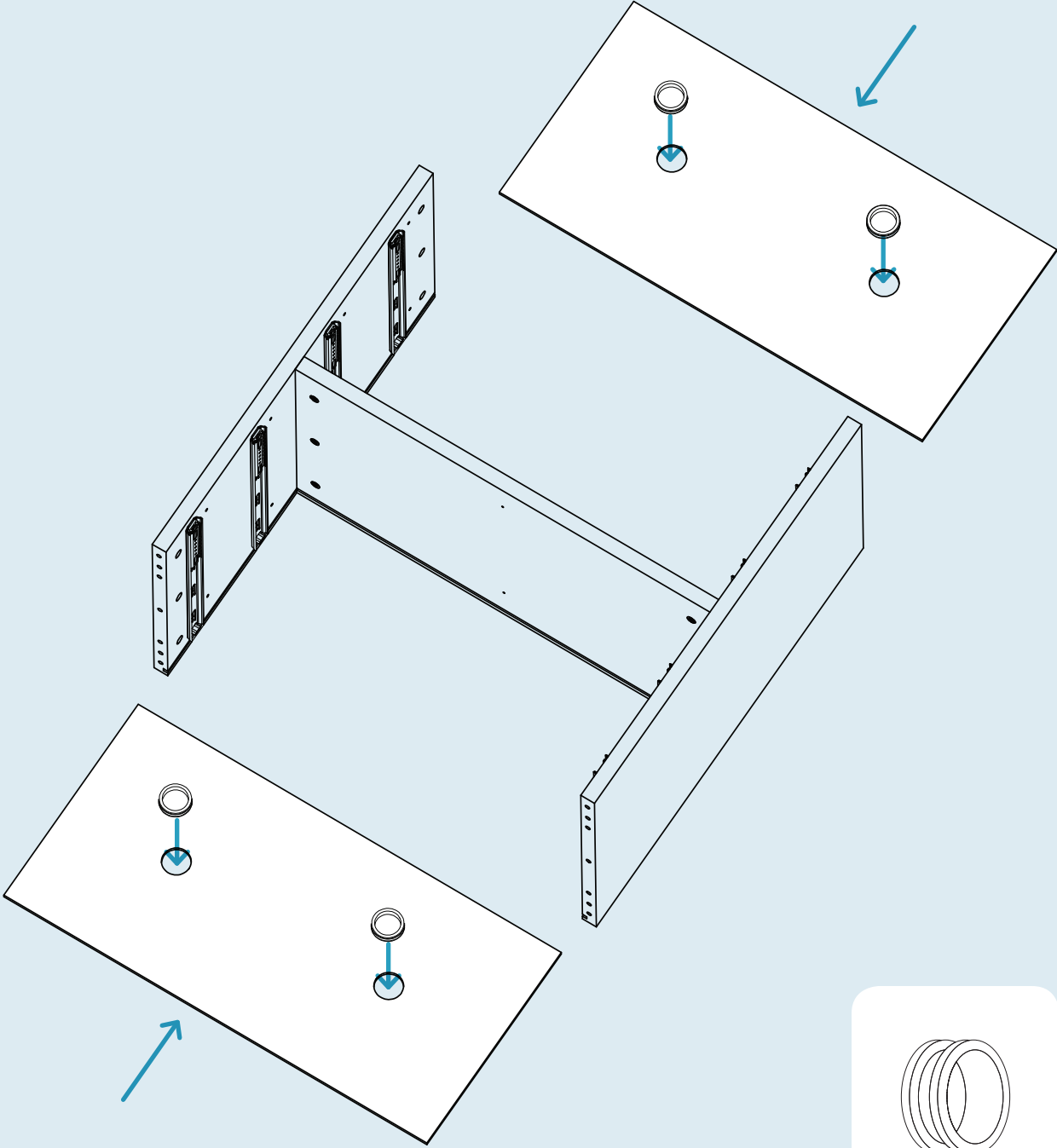


PT. 5005 X 8

Step 05

INSERT BACK PANELS.

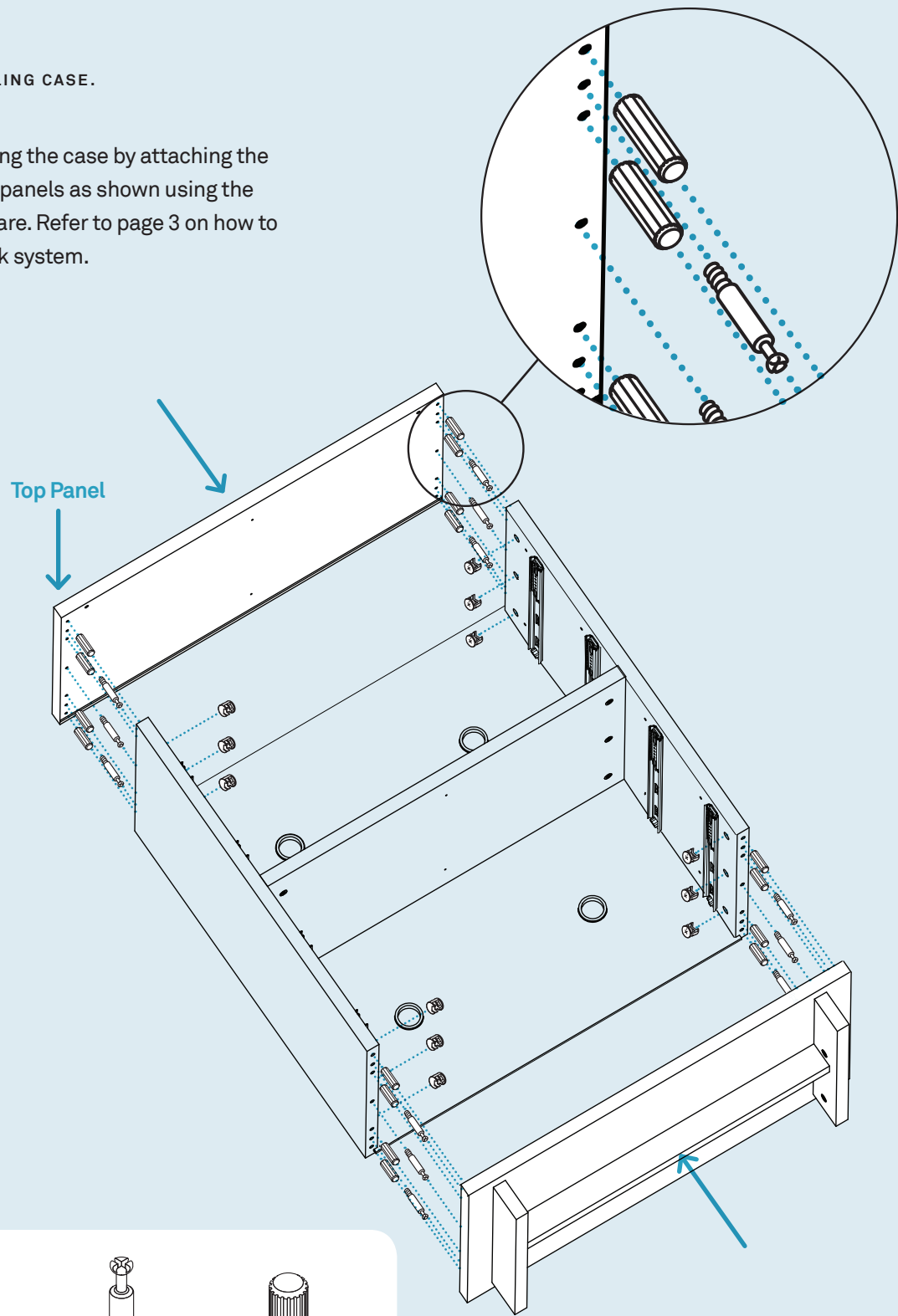
Add rubber gromates to each panel as shown. Insert panels into grooves in case.



Step 06

FINSIH ASSEMBLING CASE.

Finish assembling the case by attaching the top and bottom panels as shown using the provided hardware. Refer to page 3 on how to use the cam lock system.



PT. 5001 X 6



PT. 5002 X 6

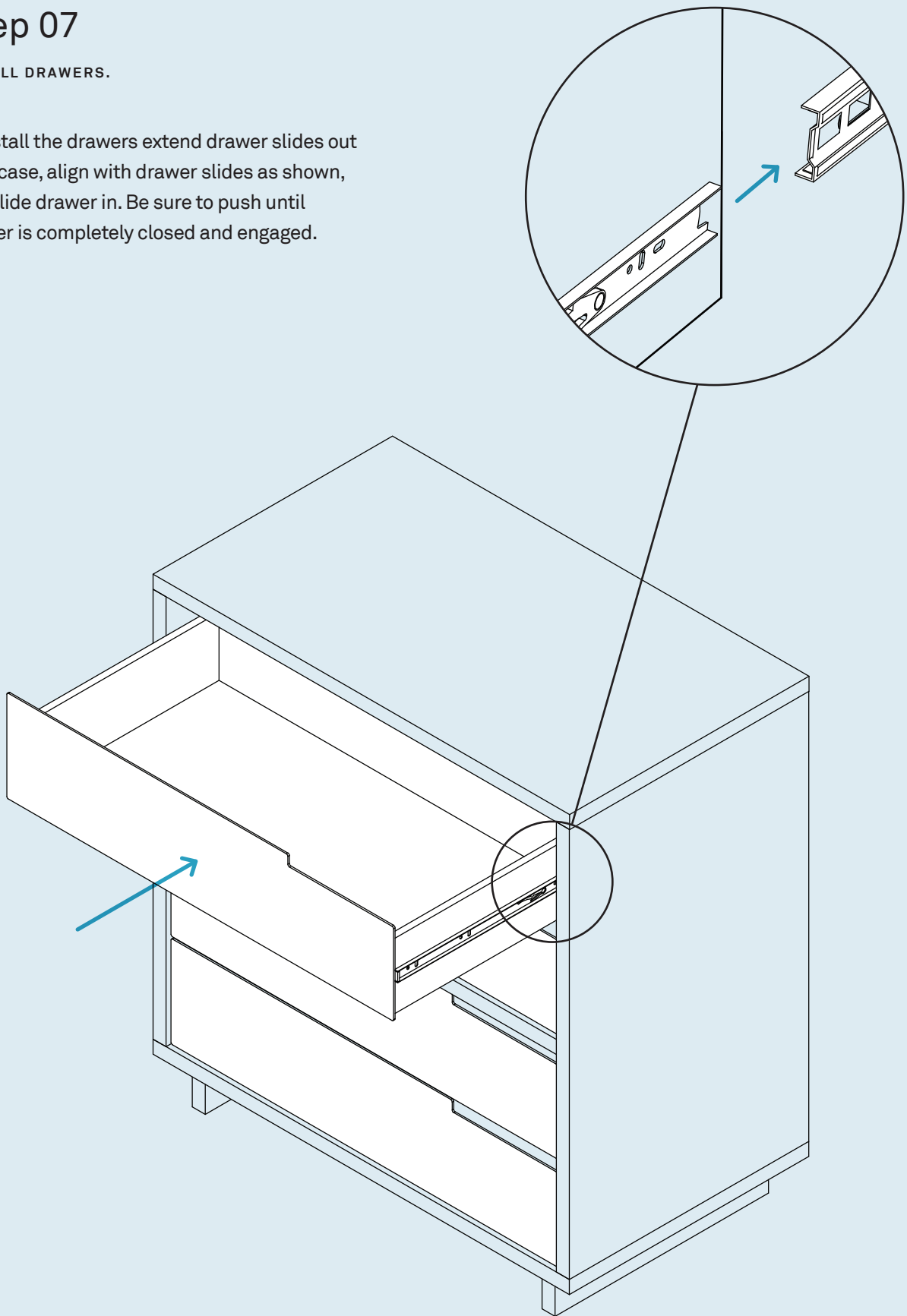


PT. 5005 X 8

Step 07

INSTALL DRAWERS.

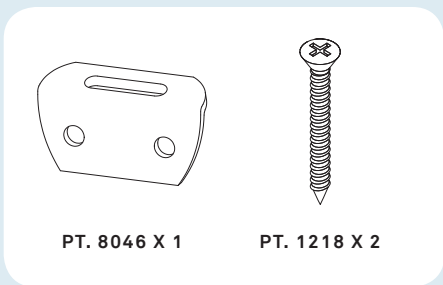
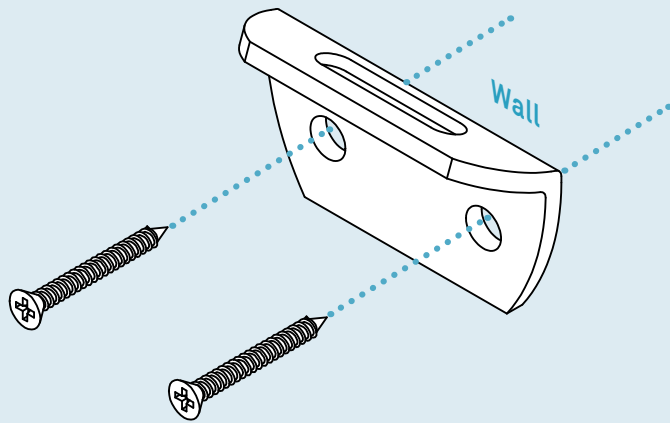
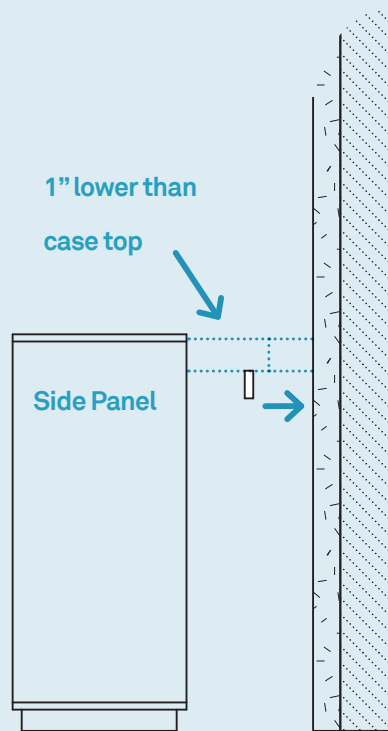
To install the drawers extend drawer slides out from case, align with drawer slides as shown, and slide drawer in. Be sure to push until drawer is completely closed and engaged.



Step 08

ATTACH ANTI-TIP BRACKET TO THE WALL.

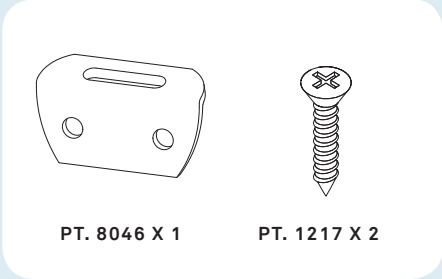
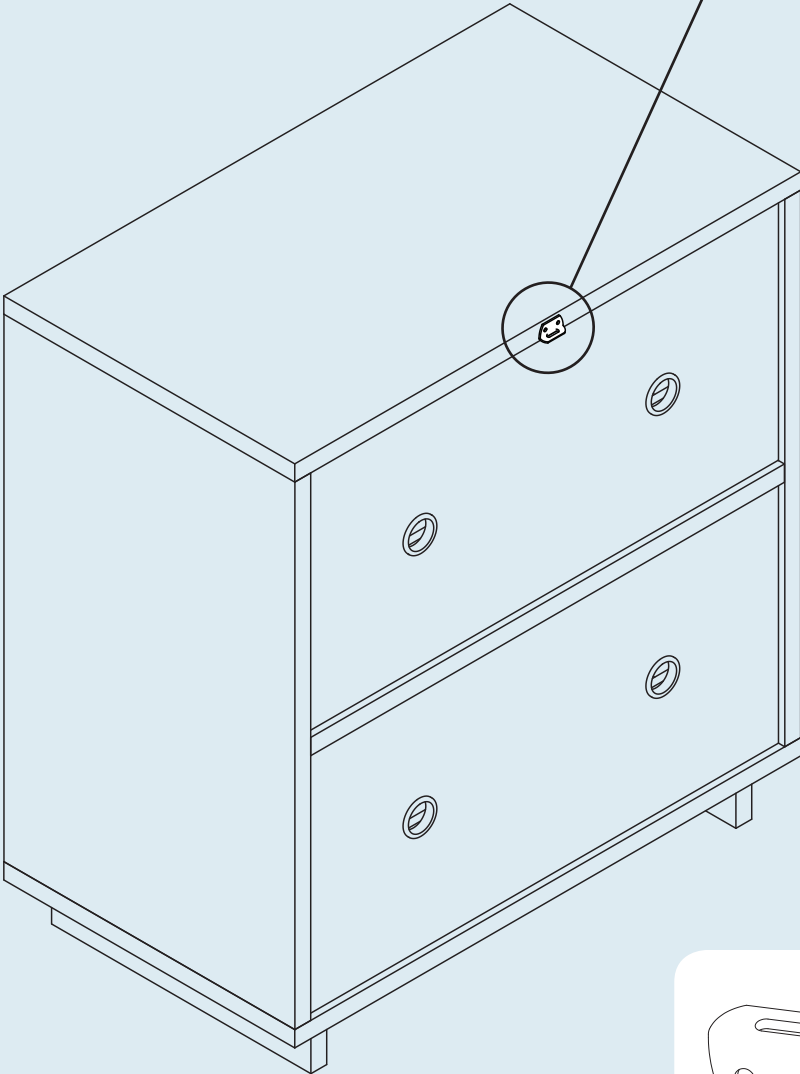
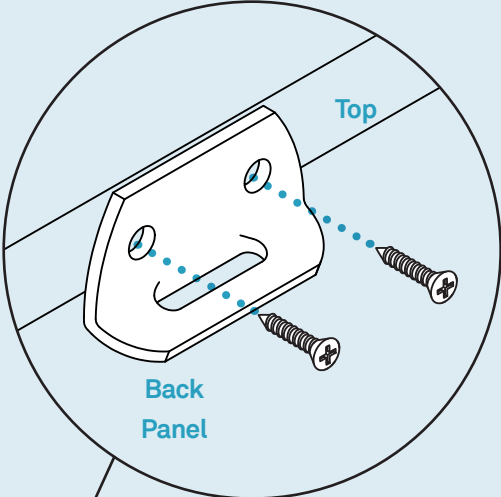
Install anti-tip bracket to wall stud 1-inch below case top panel height.



Step 09

INSTALL ANTI-TIP BRACKET TO CASE.

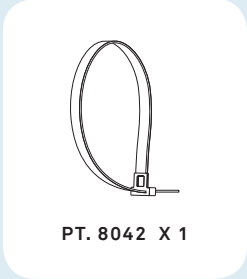
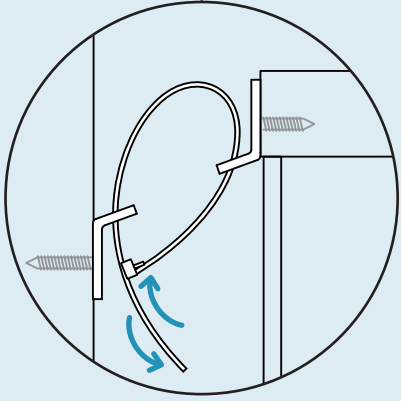
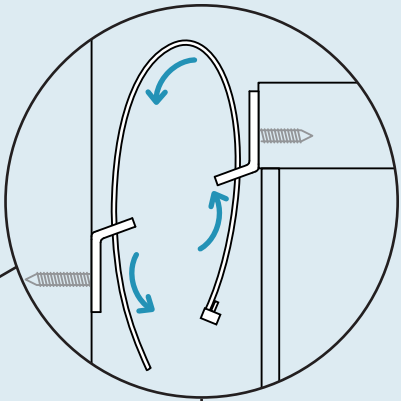
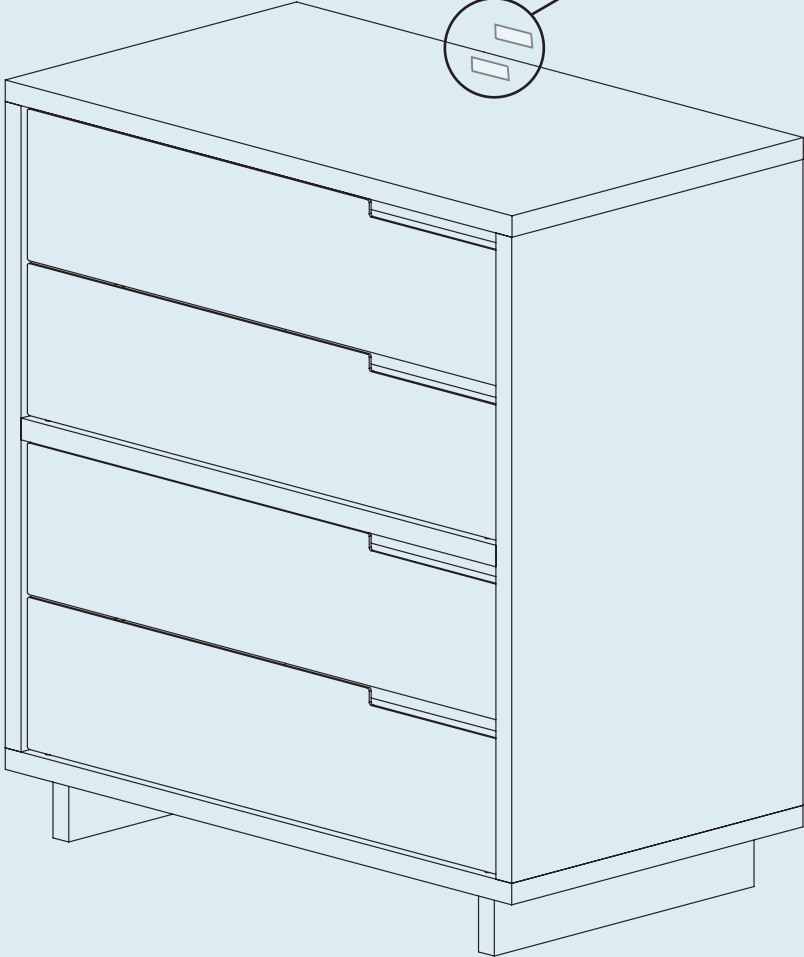
Bracket must be installed to top panel of case. In order to prevent damage, it is recommended that 3/32" pilot holes be drilled prior to installation.



Step 10

SECURE THE CASE.

Install and tighten the strap prior to using the product.

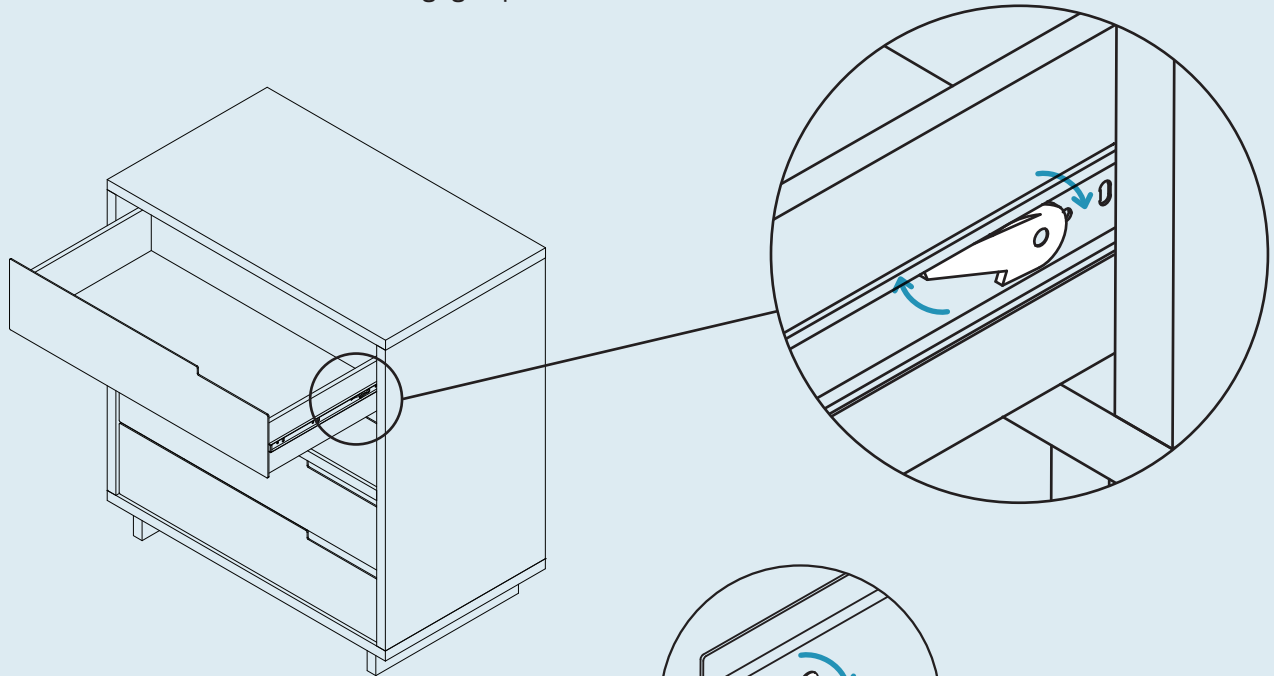


PT. 8042 X 1

Additional Information

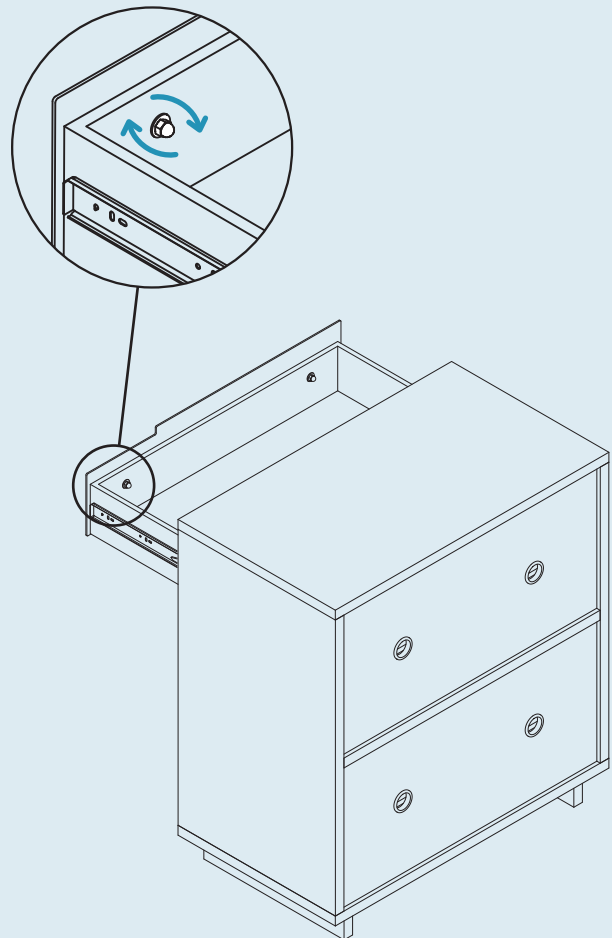
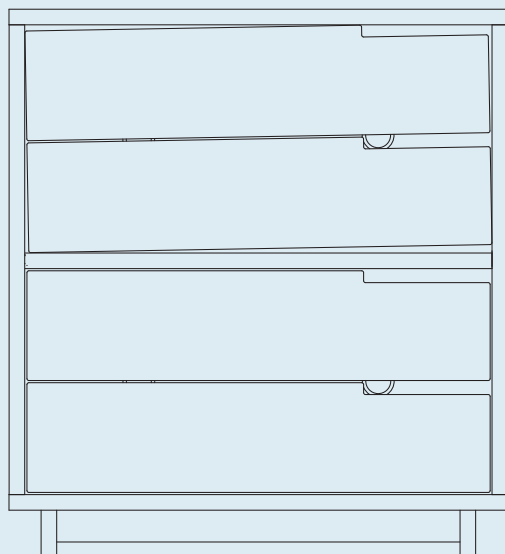
TO REMOVE DRAWERS

Pull lever up on the right side and push down on the left side of the drawer slide. With levers engaged pull drawer out.



TO ADJUST DRAWER FRONTS

Loosen the acorn nuts, adjust drawer front, re-tighten acorn nuts.



Additional Information

CLEAN

Clean with a slightly damp, soft cloth. To remove dirt and fingerprints, use a quality cleaner formulate for wood furniture. Wipe completely dry with a soft cloth in the direction of the wood grain.

